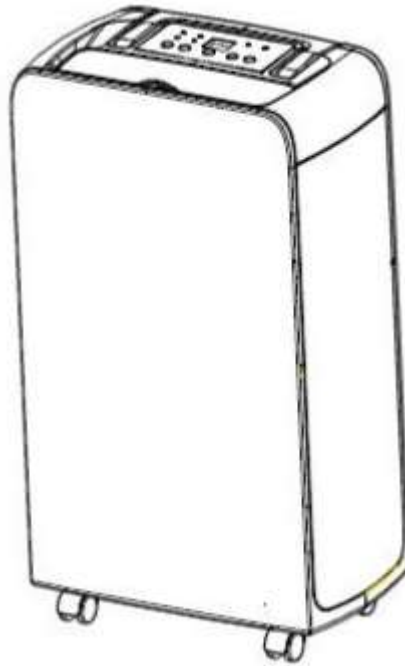




INSTRUCTION MANUAL

HUMIFIX SPACE



Please keep this manual carefully for further reference!

Thank you for choosing our high-quality dehumidifier. Please be sure to read this manual carefully before use. When meeting several questions, please contact the professional service for help.

The dehumidifier will remove excess moisture from the air, creating comfortable environment for your home and office. Its compact design allows you to move it easily from room to room.

CONTENTS

IMPORTANT SAFETY INSTRUCTIONS.....	1
SPECIFATION.....	2
INSTALLATION.....	3
APPLIANCE OVERVIEW.....	4
OPERATIONS.....	5
WATER DRAINAGE.....	7
CLEANING AND MAINTENANCE.....	9
DISPOSAL INFORMATION.....	10
TROUBLE SHOOTING GUIDE.....	11

IMPORTANT SAFETY INSTRUCTIONS



Please read the operating instructions carefully before using your dehumidifier for the first time.

1. Install the unit on flat and hard floor to diminish vibration or noise.
2. Never immerse the unit in water or other liquids.
3. Never operate the unit if the cable or other connector is damaged. Otherwise, something abnormal may happen, please call customer service for help.
4. Disconnect the unit from power supply when it is not in use, or before relocating or cleaning it.
5. Operate the unit only at the specified voltage.
6. The unit is for indoor use only. Don't use it for other purpose.
7. Do not put heavy objects on the appliance.
8. Do not tip the unit to any side as spilled water could damage the appliance.
9. Never insert any other object into the unit body to avoid any hazard or unit failure.
10. Do not put the unit close to heat-generating devices or flammable and dangerous materials.
11. This appliance is not intended for use by persons (including children) with reduced physical, sensory or lack of experience and knowledge, unless they have been given supervision or instruction concerning use of the appliance by a person responsible for their safety. Children should be supervised to ensure that they do not play with the appliance.
12. If the supply cord is damaged, it must be replaced by the manufacturer or its service agent or a similarly qualified person in order to avoid a hazard.
13. The appliance must be positioned so that the plug is accessible.
14. The appliance shall be installed in accordance with national wiring regulations.

15. The ambient temperature range for the appliance is 5°C-35°C.

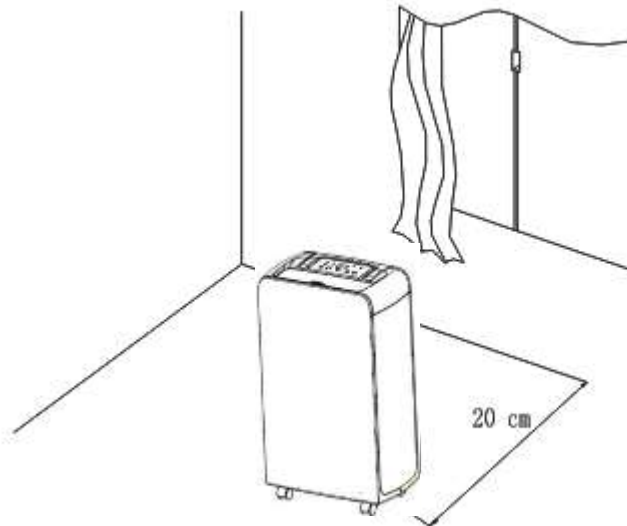


Don't try to repair, dismantle or remold the appliance, or it may make some damage. Even replacing the power cord should be done by special qualified person.

SPECIFATION

Model No.	HUMIFIX SPACE OL12-009B
Dehumidification Capacity	12L/day (30°C, 80% RH)
Supply Voltage	AC220-240V/50Hz
Rated Input Power	200W
Rated Input Current	1.2A
Water Tank Capacity	1.5L
Sound Pressure Level	≤42dB(A)
Refrigerant Charge	R134a/115g
Net Weight	10kg
Suction Side Pressure	0.5MPa
Discharge Side Pressure	1.5MPa

INSTALLATION



Install the unit on the flat floor and keep the room ventilated. Leave at least 20cm spacing around the unit before connecting the hose.

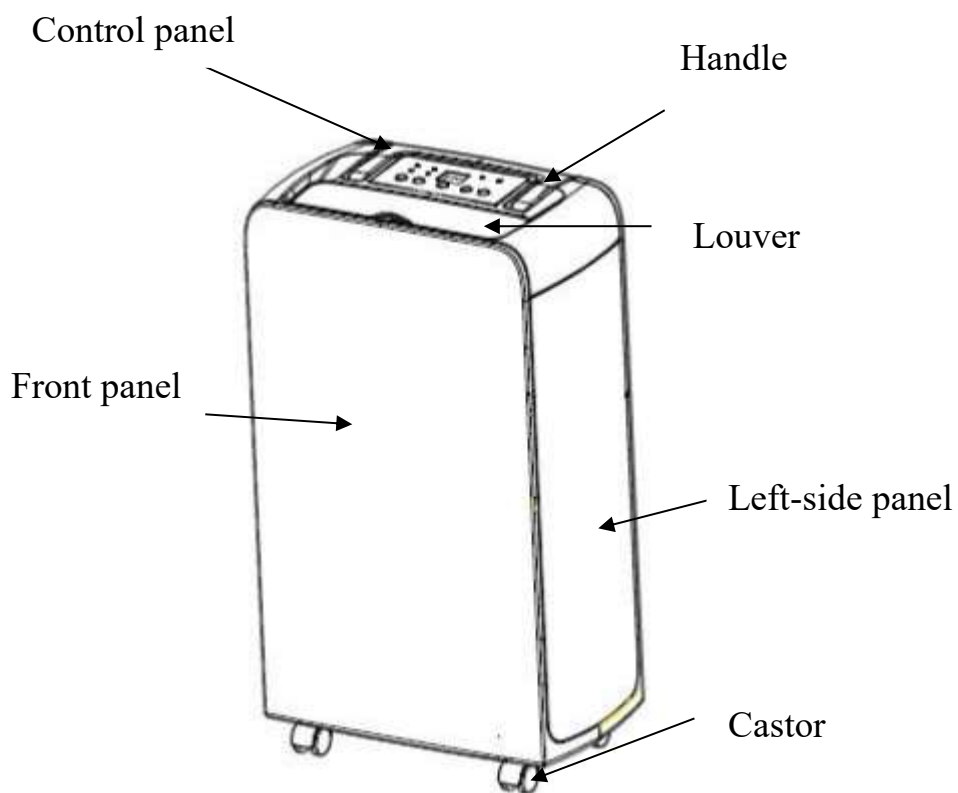
1. Push the rubber adaptor of the water pipe on the drainage port of back panel. Please refer the following picture.
2. Connect the water pipe to bathroom, outdoor or a container, such as a bucket.

NOTE:

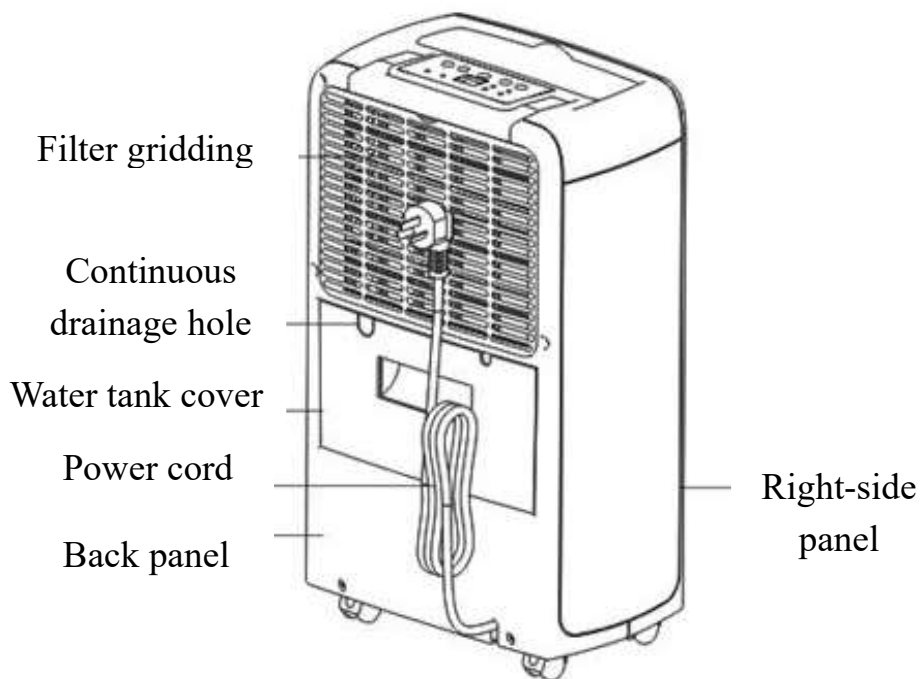
1. Do not block the drainage port or water pipe.
2. Do not fold the water pipe or make it 1.5m higher than the bottom of unit.
3. Do not replace the rubber adaptor of the water pipe, it's the special accessory for the unit only, other adaptor may not fit the unit. If it's damaged or lost, please call the customer service for replacement.

APPLIANCE OVERVIEW

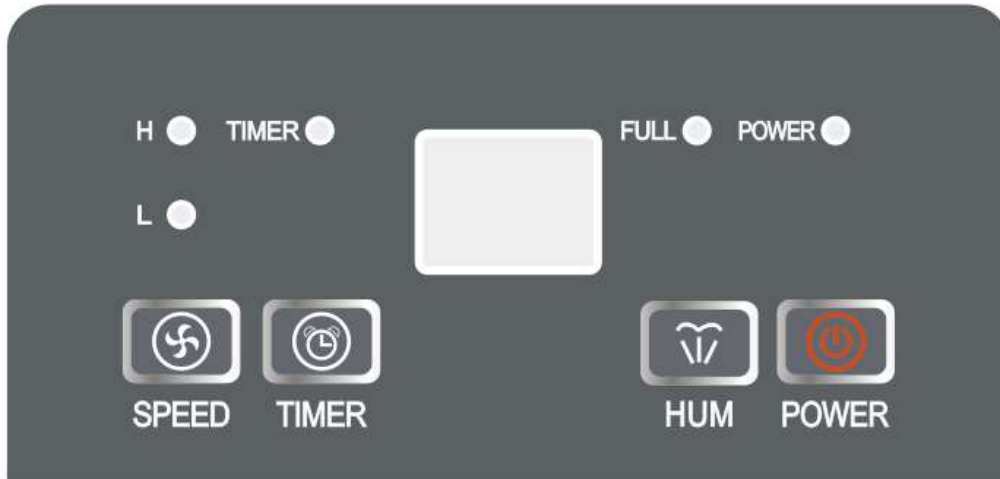
Front



Back



OPERATIONS



Indicator:



1. Power indicator: When the power is on, the power indicator shows green whether the machine is running or not.



2. Water full indicator: When water tank is full, indicator light shows red and the unit will buzz 15 times and then stop. Please empty the water tank and put it back to correct position.



3. Timer indicator: The indicator light shows green when the timer is working.



4. Low fan speed indicator: When the machine runs in low fan speed, the low fan speed indicator shows green.



5. High fan speed indicator: When the machine runs in high fan speed, the high fan speed indicator shows red.



6. Display: This indicator has 3 functions as below:

1. When the power is on, it shows indoor humidity;
2. When you adjust humidity, it shows the humidity setting data;

3. When setting the timer on/off, it shows timing setting data.

Control Panel:



1. Power button:

Press this button to turn on/off the unit. Do not unplug the power cord directly to force the machine to stop working.

The buzzer will buzz when plugging the unit for the first time. Press this button to turn on the unit and the primary setting humidity is 50% along with low fan speed.



2. Timer button:

Press this button to set timing from 0 to 24 hours in one-hour increment. If you want to cancel timing, press this button until the display shows '00'.



3. Humidity setting button:

Press this button to adjust the humidity (The initial setting humidity is 50%):
50%→55%→60%→65%→70%→75%→80%→40%→45%→50%.

When the indoor humidity is lower than the setting humidity, the machine stops automatically.



4. Fan speed setting button:

Press this button to switch the fan speed between HIGH and LOW fan speed.

WATER DRAINAGE

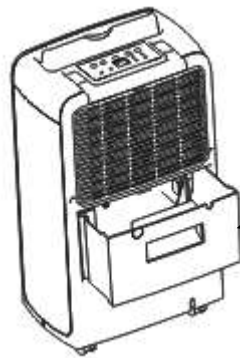
I. Water Tank:

When the water tank is full and reaches the capacity (1.5L), the water full indicator will show red and keep warning.

Take out the water tank, empty the water inside, and put it back into the dehumidifier.

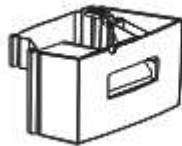
II. How to empty the water tank:

1. Pull out both sides of water tank as below



Pull the water tank at the back of the machine slightly; the water tank is forced to move out.

2. Empty the water tank



Cautions!

1. Do not remove the float from the water tank, otherwise, the machine will not stop working when the water tank is full. Then the overflow water maybe make damage to your floor.

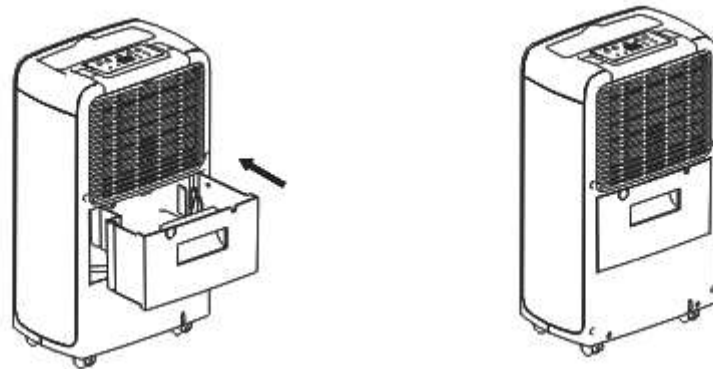


2. Drain the water tank completely when water tank is full and reset your setting.

3. If the water tank is dirty, clean it by cool or warm water. Do not use cleaner, steel

wool, chemical rag duster, gas oil, benzene, thinner or other solvent to clean it, otherwise, it would damage the water tank and lead to leakage.

4. When putting the water tank back to the unit, please push it into the correct position of the machine with both hands. Otherwise, the water full indicator will still show red and the machine can not work.

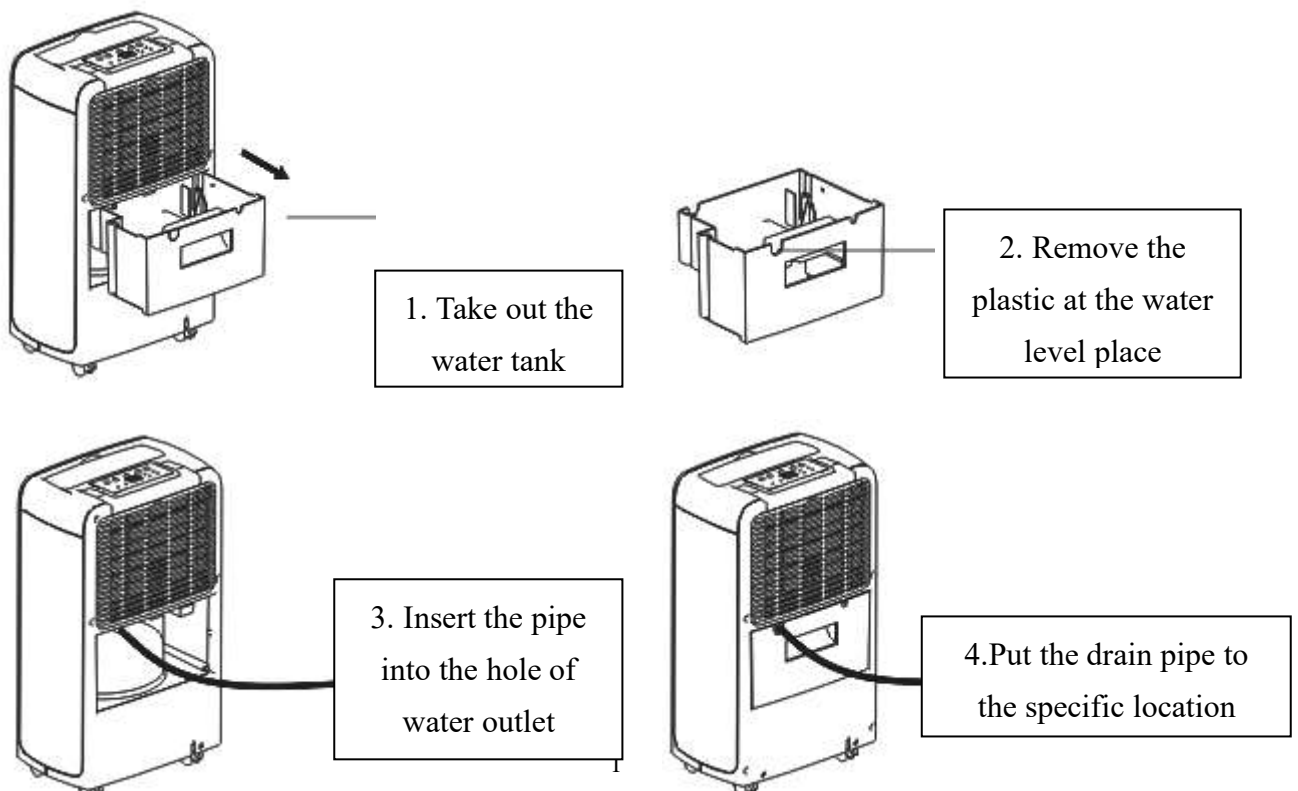


III. Continuous drainage:

1. Open the cover on the back of the dehumidifier;
2. Take out the water tank;
3. Insert a 9.5mm (inner diameter) PVC pipe, and the recommended length is 300 mm; put the other side into a container, such as a bucket.

NOTE: PVC pipe needs to be purchased separately.

Step:





1. Never block the water outlet or the pipe, water will flow into the water tank if it is blocked.

2. Never bend the drainage pipe and it should be always lower than the outlet.

3. Close the cover when there is no need for continuous drainage.

CLEANING AND MAINTENANCE

NOTE:TURN OFF THE UNIT AND UNPLUG IT BEFORE ANY MAINTENANCE OR REPAIR TO AVOID ELECTRIC SHOCKS.

I. Cleaning:

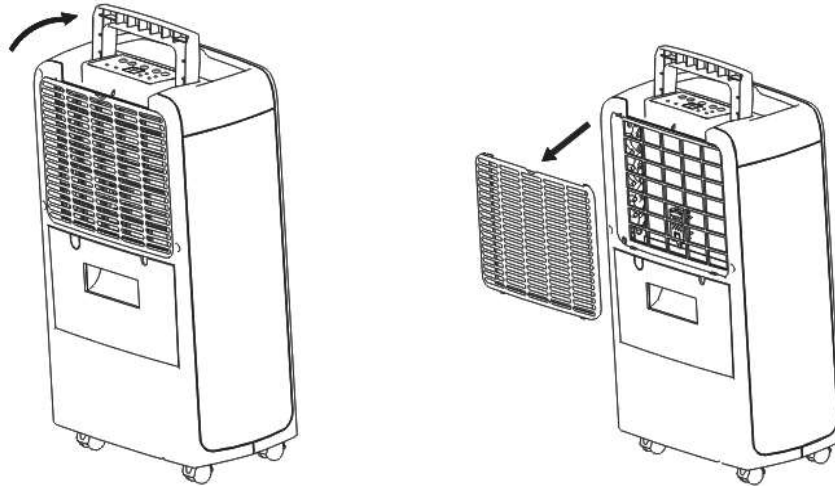
1. Unplug the unit before any cleaning.
2. Clean the housing with a soft damp cloth. Do not use chemical solvent (such as benzene, alcohol, gasoline). The surface may be damaged or even the whole case may be deformed.
3. Do not sprinkle water on the unit.

II. Air filter:

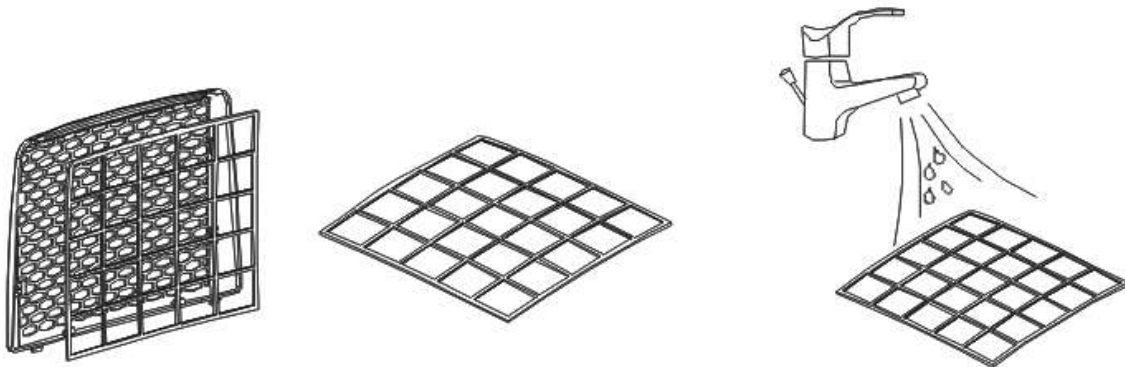
1. The unit is equipped with washable air filter. Take out the washable filter. After the cleaning operation, insert the filter back to its place.
2. Clean the washable filter every 2 weeks. If the filter is blocked with dust, the efficiency will reduce.

3. Wash the air filter by immersing it gently into warm (about 40°C) water with a neutral detergent, rinse it and dry it thoroughly in a shaded place.

Take out the filter



Clean the filter



Assemble the filter: Insert the filter back to machine slowly after washing.

III. Dehumidifier storage:

If the dehumidifier will not be used for an extended period of time:

1. Drain the water tank completely and make sure there is no more stocked water inside.
2. Unplug the unit and fold up the power supply cord.

3. Remove and clean the air filter, allow it to dry completely and reinstall it.
4. Store the dehumidifier in a cool, dry location, away from direct sunlight, extreme temperature and excessive dust.

DISPOSAL INFORMATION



Do not dispose of electrical appliances as unsorted municipal waste, use separate collection facilities.

Contact you local government for information regarding the collection systems available.

TROUBLE SHOOTING GUIDE

BEFORE CALLING FOR SERVICE

Before contacting professional service, review this list. It may save your expense and time. This list includes common occurrences that are not the result of a defect in workmanship or materials.

Problem	Possible Cause	Solution
The unit doesn't operate	No power supply	Connect to a functioning outlet and switch on
	Water full indicator flashes	Drain water tank and reset your setting, or replace the water tank to right place
	Room temperature is under 5 degree or above 35 degree	Self-Protection is designed to protect the unit. It can not work under such temperature
	Timer function is active	Deactivate timer function.
The dehumidifying function doesn't work or the unit turn on / off frequently	Is the air filter clogged?	Clean the air filter as instructions
	Is the door/window opened?	Close the door/window
	Is the unit close to any heat emanation?	Remove the unit to a cool place
	Is the intake duct or discharge duct obstructed?	Remove the obstruction from the discharge duct or intake duct
Operation is noisy	Is the unit tilted or unsteady?	Place on an even, solid surface (less vibration)
	Is the air filter clogged?	Clean the air filter as instructions

Auto defrosting, low temperature work

When the current temperature is between 5°C and 12°C, machine will defrost automatically every 30 minutes; when the current temperature is between 13°C and 20°C, machine will defrost automatically every 45 minutes.

Note: If the water full indicator keeps on, there may be some malfunction about the unit. Contact a service professional for help.

Cautions: Switch off the unit and unplug it immediately if something abnormal happens, then contact a qualified electrician.